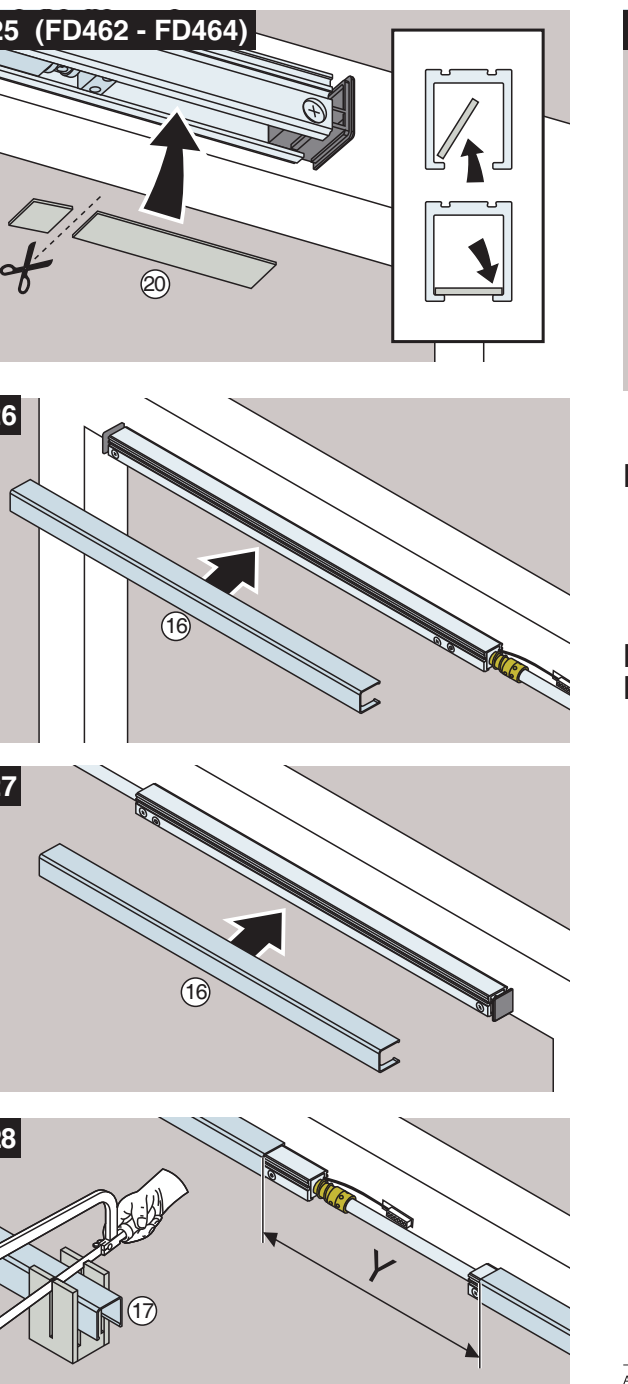
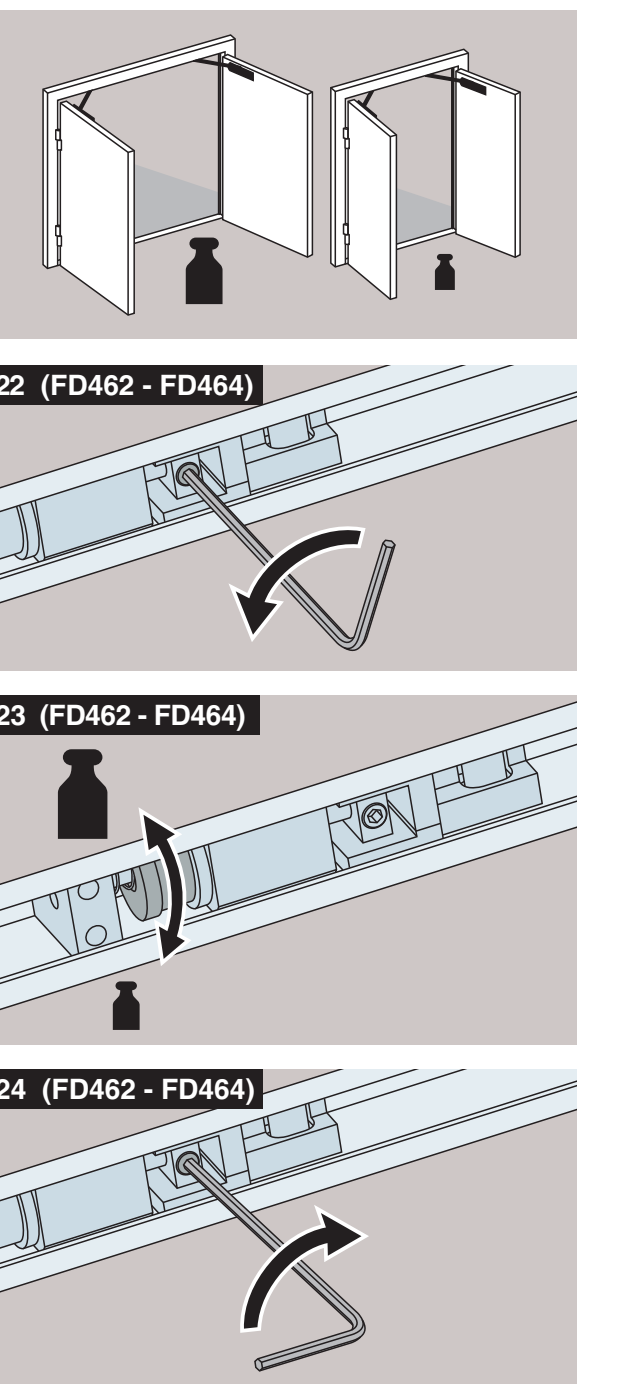
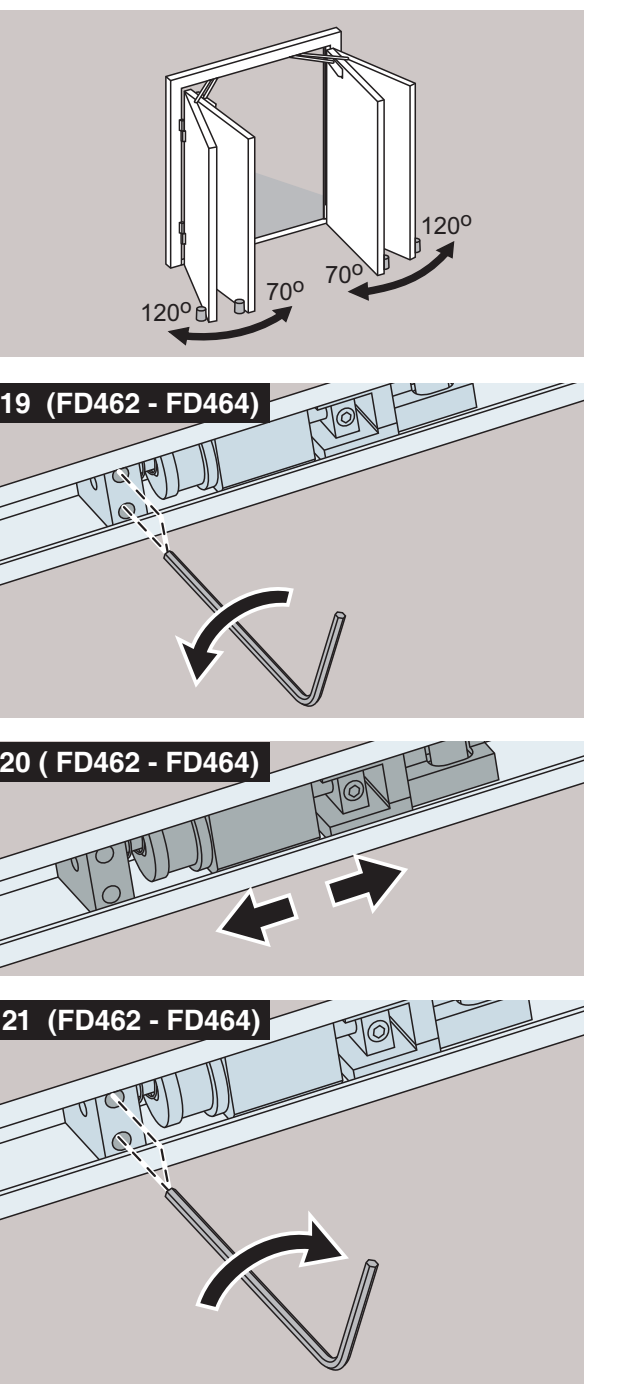
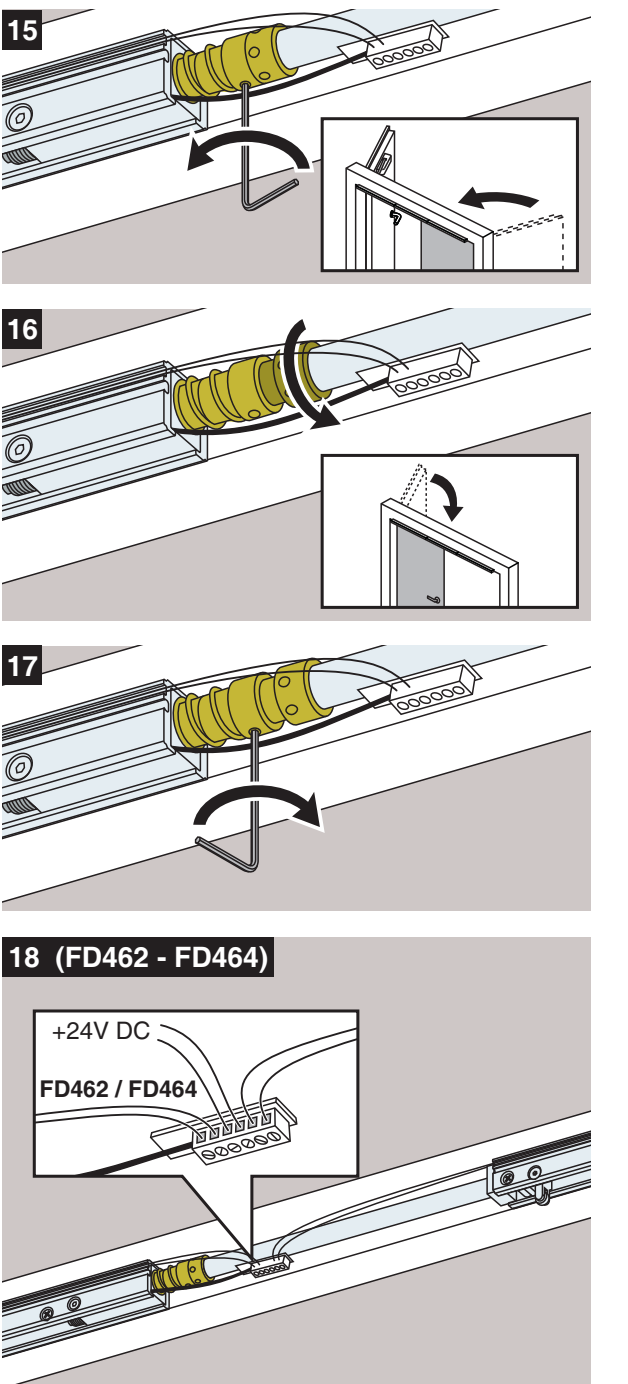
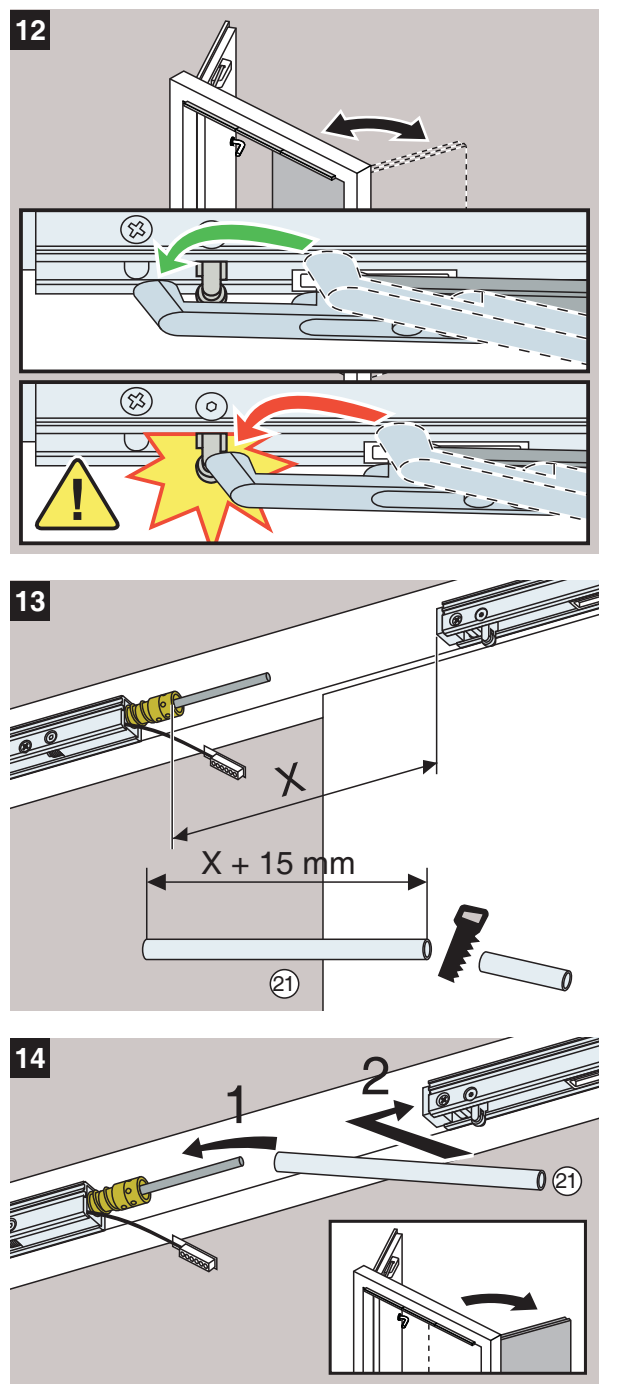
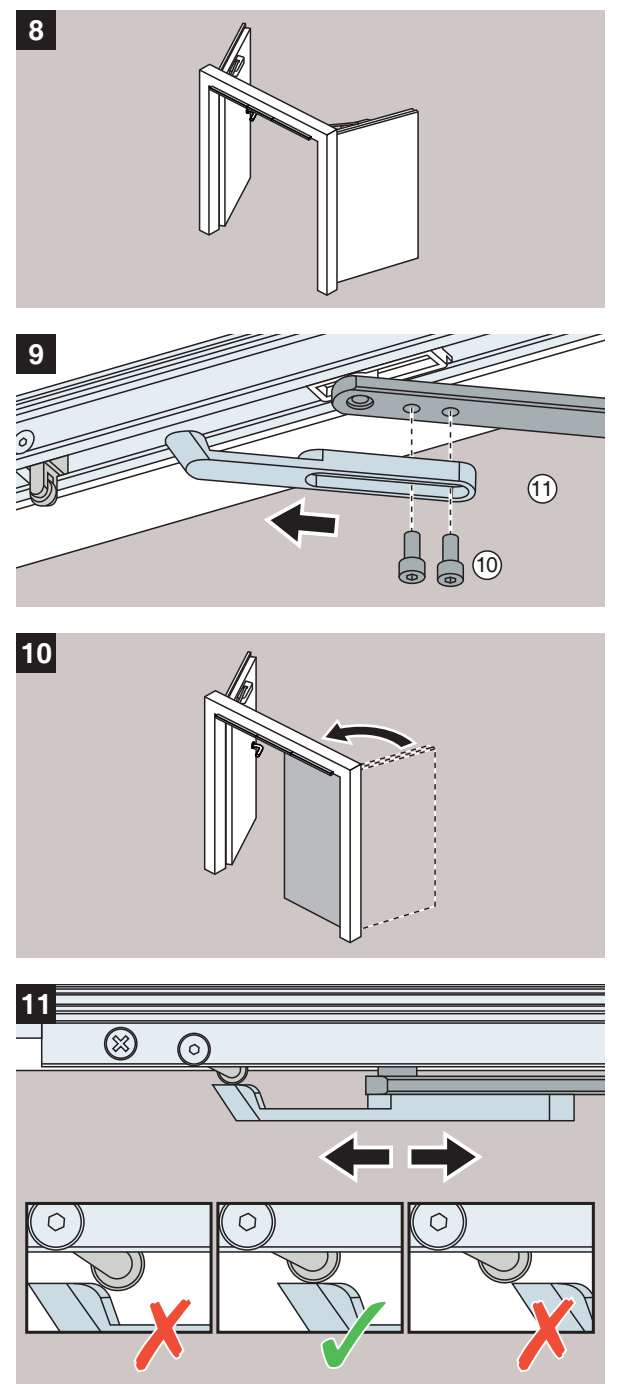
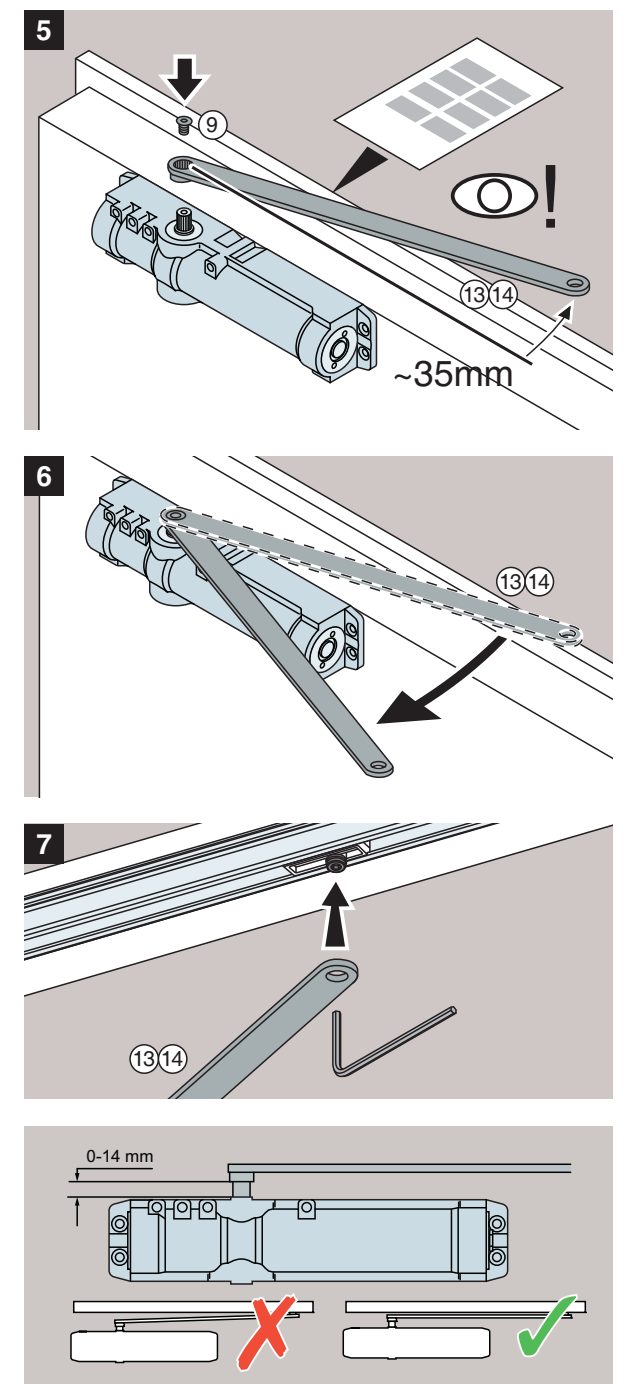
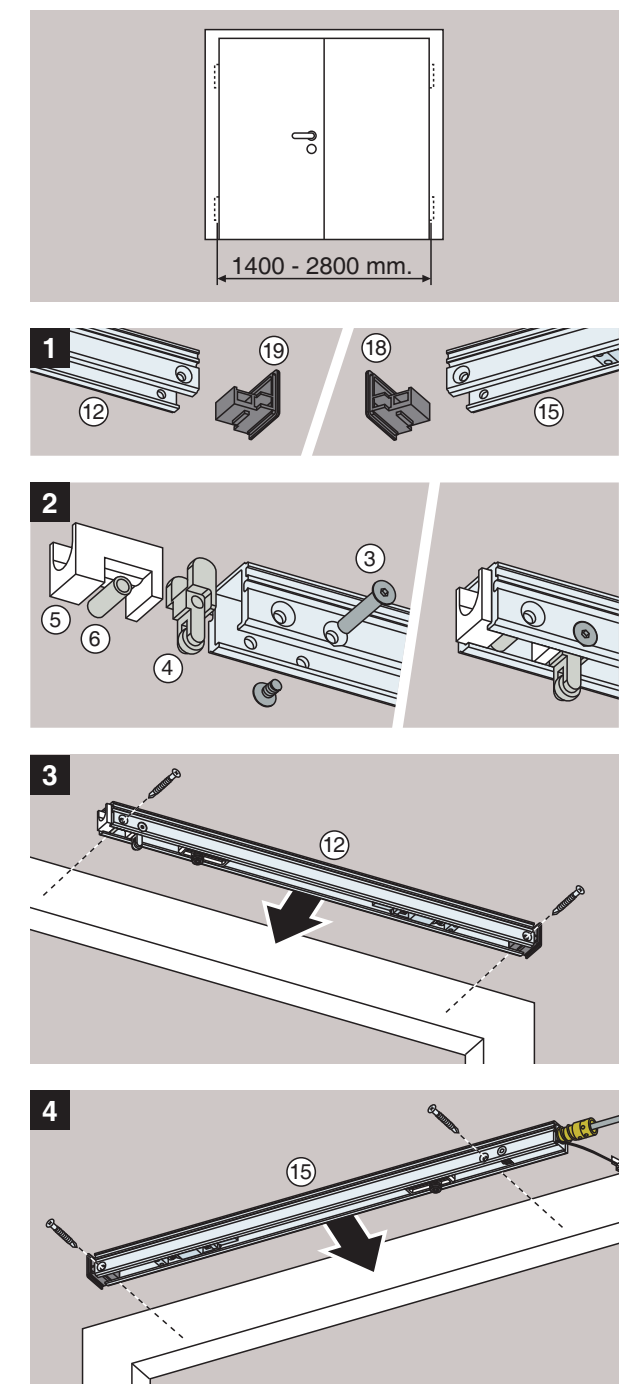
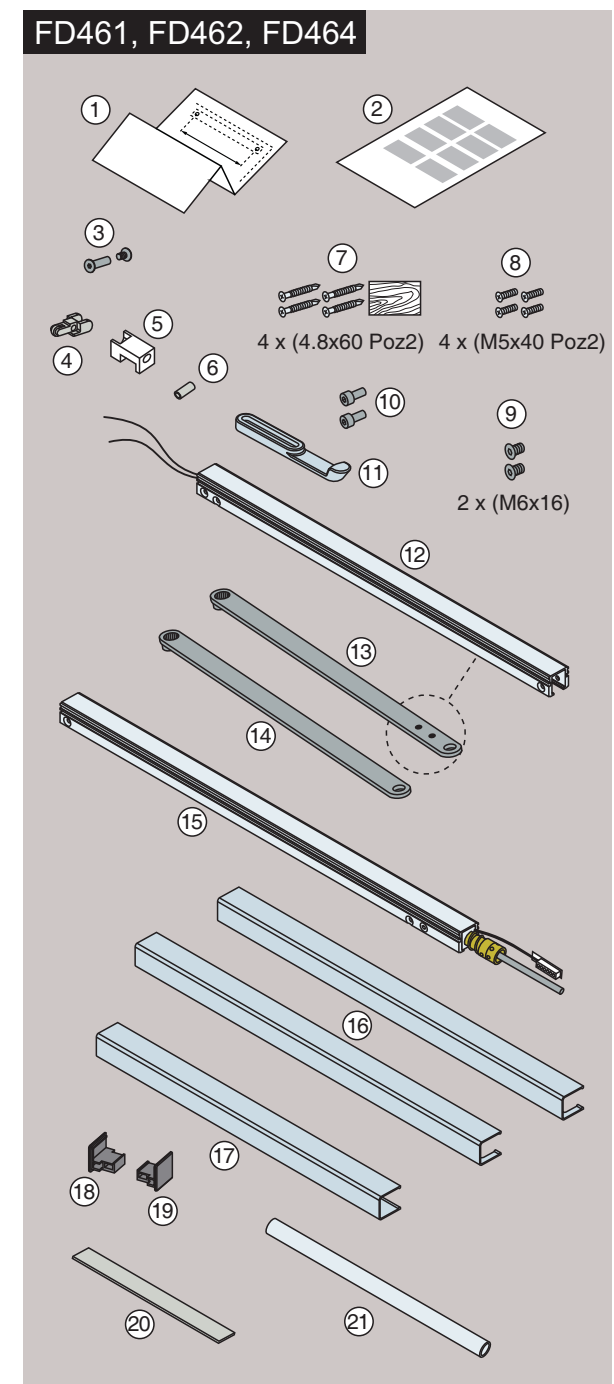
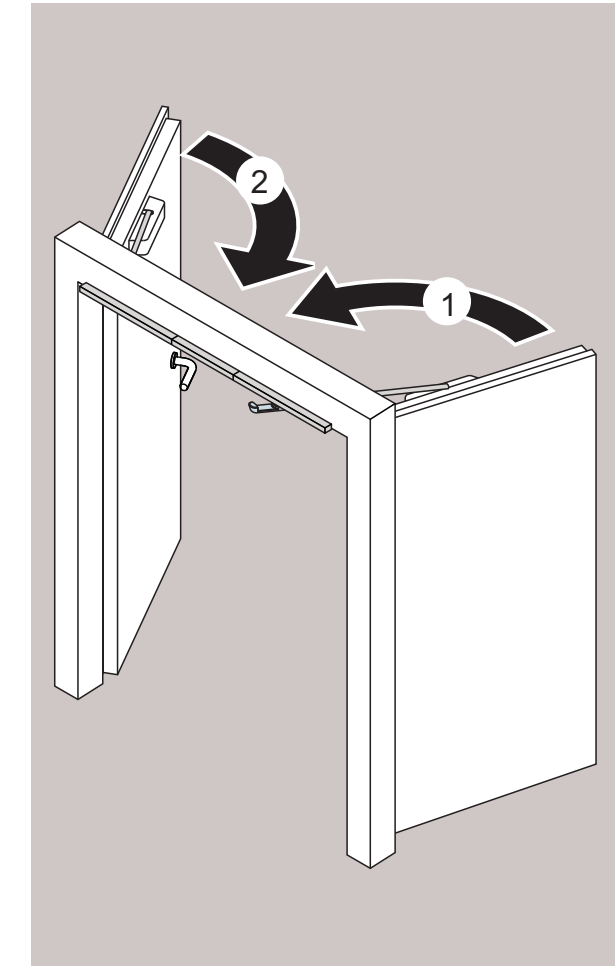


FD461, FD462,
FD464 + FD120



FD461

CE	Abloy Oy PO Box 108 80101 Joensuu, Finland	04
0432-BPR-0049	EN 1158:1996+A1:2002	3 8 6 1 1 3

**FD462
FD464**

CE	Abloy Oy PO Box 108 80101 Joensuu, Finland	04
0432-BPR-0050	EN 1155:1997+A1:2002	3 8 6 1 1 3
0432-BPR-0049	EN 1158:1997+A1:2002	3 8 6 1 1 3